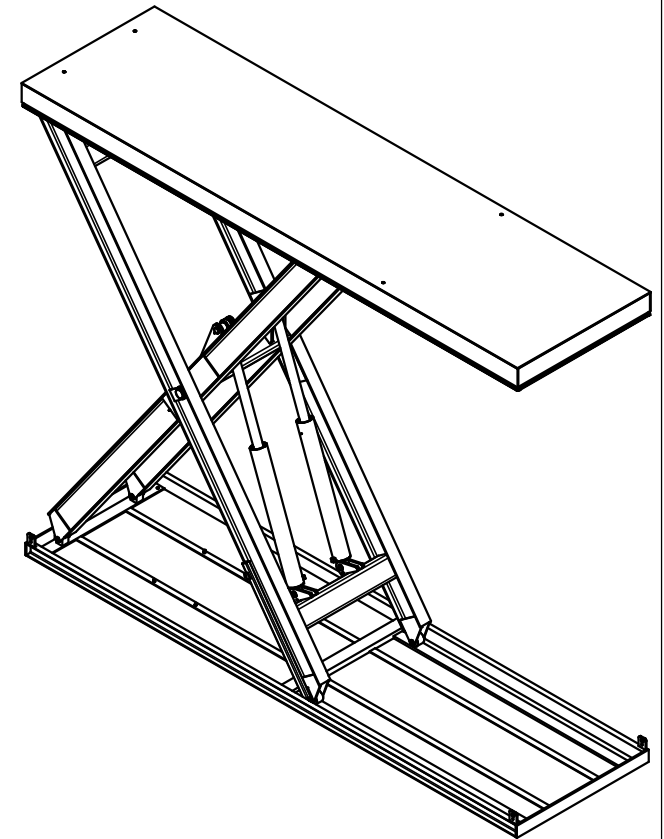
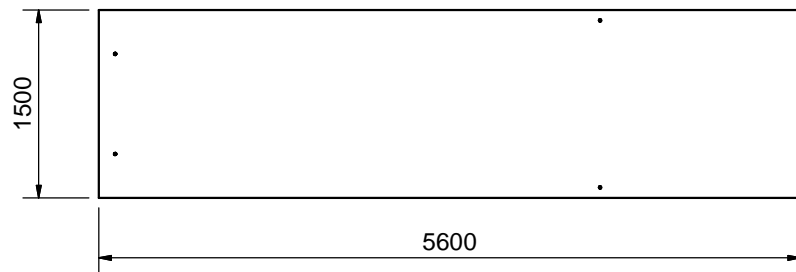
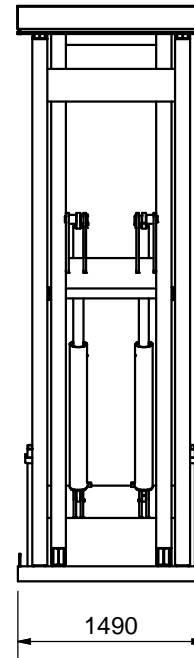
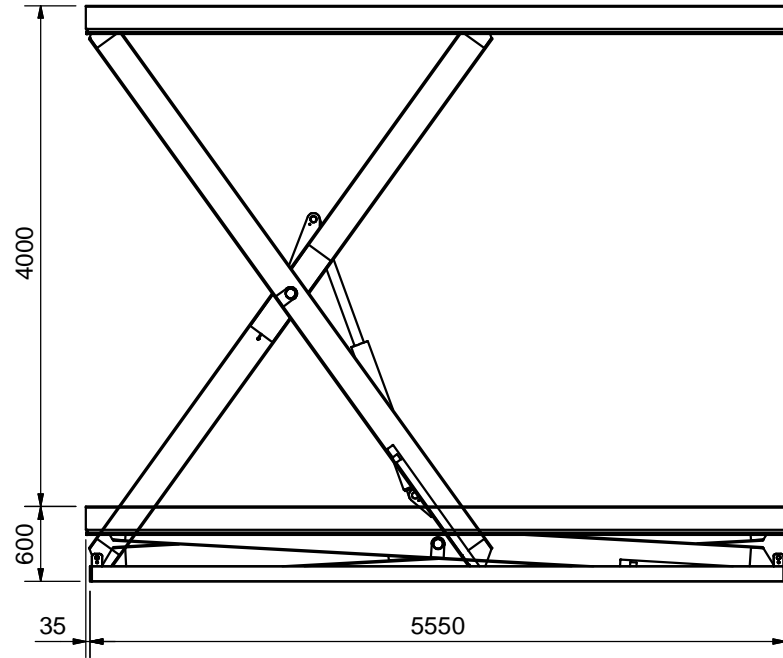



This document must not be copied without our written permission, and the contents thereof must not be imparted to a third party nor be used for any unauthorized purpose. Contravention will be prosecuted.



Lyftbord Sammanställning TO 4000 (5600x1500)		Drawn ERIFO	Date 2010-07-25
		Scale 1:30.0	Est. weight N/A
		Document kind Konstruktionsritning	
	General tolerances for dimensions without indication according to ISO 2768-m	System Inventor Sheet size A3	Drawing no 33840
			Revision A